

ADC-4U SERIES ANALOG TO DIGITAL CONVERTER

TECHNICAL REFERENCE



Click for more info: www.eeci.com/adc-4up.htm

PHONE..... (937) 349-6000
 ORDERS..... (800) 842-7714
 TECH SUPPORT... (937) 349-6000
 E-mail..... sales@eeci.com

www.eeci.com
Click for Website

TABLE OF CONTENTS

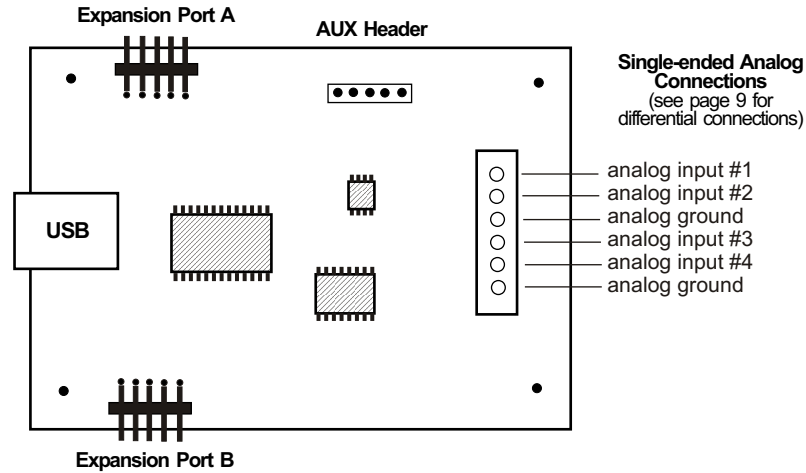
Specifications.....	page 1
Connection Diagram and Warranty.....	page 2
Technical Support.....	page 2
Terminal Block Connections.....	page 2
Set-Up and Testing.....	page 3 & 4
Device Manager.....	page 4
Trouble-Shooting.....	page 5
Input & Relay Expansion Ports.....	page 5
The ADC-4U User Interface.....	page 6
Auto Start-Up.....	page 6
The ADC-4U Data Logger.....	page 7
Programming Examples.....	page 7
Voltage Reference for the analog inputs.....	page 8
Single Ended Analog Inputs.....	page 8
Differential Analog Inputs.....	page 9
Input Amplification and Conditioning.....	page 9
Voltage Inputs and Sensor Interfacing.....	page 10 & 11
Mounting.....	page 11

SPECIFICATIONS

Power Supply.....	Powered from USB port (5 volts DC)
Operating Temp. Range.....	-40° C to +85° C
Serial Data Protocol.....	75 to 6,000,000 baud - auto detect (defaults to 115,200 baud) Full duplex operation (data bits, parity, stop bits will auto detect)
Maximum Sampling Rate.....	100 samples per second or better (500 samples per second typical)
Analog Inputs.....	4 single-ended inputs (8, 10 or 12 bit resolution) or 2 fully differential inputs (8, 10 or 12 bit resolution) ADC-4U8 (8 bit resolution will divide your measurement range into 256 different increments) ADC-4U10 (10 bit resolution will divide your measurement range into 1,024 different increments) ADC-4U12 (12 bit resolution will divide your measurement range into 4,096 different increments)
Analog Voltage Input Range.....	0 to 4.096 volt internal reference (default range - provides 16 mv divisions per increment with 8 bit, 4 mv divisions with 10 bit or 1 mv divisions with 12 bit) 0 to 3.3 volt or 0 to 5 volt external (low precision) user supplied in the range of 1 volt to 5 volts (to terminal block) Contact EECI support for a pre-installed high precision voltage reference (1.2 volt, 2.048 volt, 2.5 volt, 3 volt, 5 volt or adjustable)
Expansion Capability.....	expandable to control up to 144 relays/inputs (or combinations) using EX-8M, EXM-8, EXM-16 or EXM-32 Relay I/O Expansion Modules
Interface.....	USB (also available in WiFi version (ADC4-WIFI), Ethernet version (ADC4-ENET) RS-232 version (ADC4-RS232) or RS-485 version (ADC4-RS485))
Software Compatibility.....	Windows XP, Vista, Windows Server, Windows 7, 8.1, Windows 10 and Windows 11
Weight.....	.5 ounce
Size.....	1.875 inches by 2.5 inches

CONNECTION DIAGRAM

ADC-4U SERIES ANALOG TO DIGITAL CONVERTER



DESCRIPTION

The ADC-4U series Analog to Digital converters connect to any available USB port on your desktop or laptop PC (including some tablets and phones). Four analog inputs channels are provided for conversion to 8, 10 or 12 bit digital format. The converters may be set to two channel fully differential mode if required. Three optional expansion ports are available for connection of up to 144 relays, 144 status inputs or combinations of relays and inputs.

24 HOUR TECHNICAL SUPPORT

Technical support for our products is available by calling (937) 349-6000. If a technical adviser is not available, please leave your name, phone number and a time that you can be reached. Your call will be returned as soon as possible and within 8 hours. Calls received during normal business hours are usually returned within minutes.

WARRANTY AND CARE OF THE ADC-4U

The ADC-4U series Analog to Digital Converters are warranted against factory defects for a period of 90 days from the date of purchase. The ADC-4U has proven to be extremely reliable in actual operation during field tests. We recommend that the ADC-4U and associated hardware be installed in a suitable enclosure (4 mounting holes are provided on the circuit board) and that reasonable precautions be taken to protect the circuit from static discharge.

SET-UP AND TESTING

Upon receiving your ADC-4U, you should connect and test the operation of the hardware to verify proper operation. Please set-up and test the ADC-4U as follows (Windows XP*, Vista, Windows Server, Windows 7, 8.1, Windows 10 or Windows 11) *service pack 3

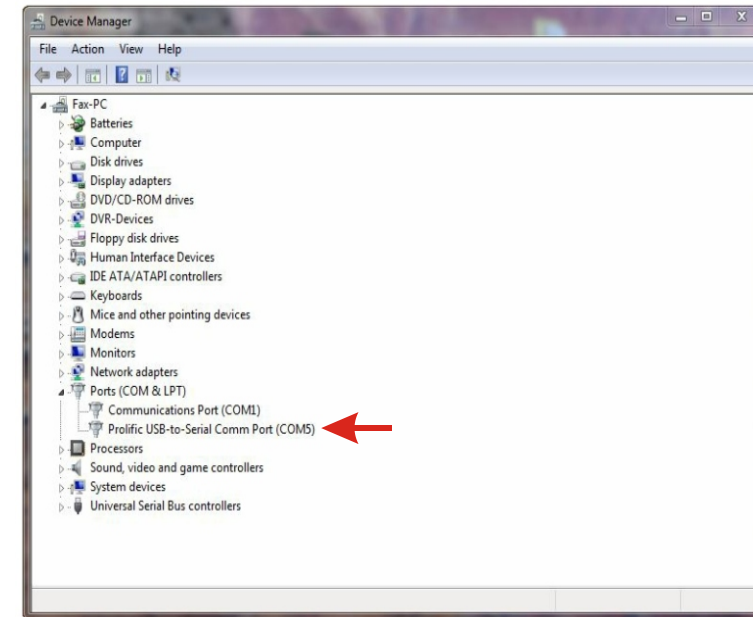
(Step 1) Connect to the Internet. This permits any security or software updates to occur during installation. If you do not have an Internet connection, you may skip this step.

(Step 2) Connect your ADC-4U Analog to Digital Converter to any available USB port on your computer using a CC-USBB cable (1 to 15 foot). A high percentage of systems will be up to date and you will not see any activity or a pop-up message (allow up to 30 seconds for any system message). If your USB Com driver is out of date, you may receive a

message that your system is being updated or a new driver is being installed. Allow the update to occur before you move to the next step. If you do not see activity or receive a system message, proceed to step 3.

(Step 3) Insert the installation CD or USB flash drive and wait for the security message (with a USB flash drive, you may need to browse to the drive icon from your My Computer link). OK or click the startup.exe file to start the installer dialog.

(Step 4) Check your USB Com driver by clicking on the "Open Device Manager" button in the installer dialog window and expanding the "Ports (COM & LPT)" category (expand the category by clicking on the + or arrow, see Device Manager on page 5 or go directly to Device Manager from Control Panel). If you see a "Prolific USB-to-Serial Comm



Port" entry, this is your USB Com driver* and the com port assigned is to the right of the entry. Right click on the entry and select "Properties" and click the "Driver" tab. Your USB Com driver must be Prolific version 3.4.62.293 or higher (dated 10/17/2013 or later). If your USB Com driver is not up to date, right click on the entry and select "Update Driver Software". If your USB Com driver is up to date then please note the Com port number assigned and jump to step 5.

*verify that this is the com port assigned to the ADC-4U by unplugging the ADC-4U from your USB port and watching the entry in device manager. The entry should disappear and then reappear when you plug the ADC-4U back in.

If you do not have an Internet connection or are having problems with the USB Com driver

installation, disconnect the ADC-4U USB cable from your computer and install the USB Com driver from your CD by clicking on the "Install USB Com Driver" button. Please note that you may have to remove any out of date Prolific Com drivers on your system before the current driver will install correctly. It is important that you use the remove feature on your CD (not the remove feature in Device Manager). The remove feature is shown after clicking the "Install USB Com Driver" button from the installer dialog window (allow up to 30 seconds for the installer to load and appear).

(Step 5) After you have verified or installed the up to date USB Com driver, reconnect (if not already connected*) your ADC-4U Analog to Digital Converter to the same USB port and install the ADC-4U device driver** by clicking the "Install EECI Device Driver" button from the installer dialog window (if you have auto start disabled, you may browse to the Windows Driver folder and double click on setup.exe). A desktop icon for the ADC-4U will be created. When installing the ADC-4U device driver on a Windows XP or Vista computer, double click on setup.exe in the XP-Vista folder. *if you reconnect your ADC-4U to a different USB port, a different com port may be assigned.

**Please note that the Microsoft .Net Framework must be installed on your system. The .Net Framework is already installed if you have Windows 7 or higher. If the .Net Framework is not installed on your computer, the installation program will attempt to download and install the .Net Framework from the Microsoft Update website through your internet connection. This may take 5 minutes or longer. In order for the .Net Framework to install correctly, your computer must be up to date with Windows Update. This is especially important with Windows XP* and Vista. You may update your computer by clicking on the start button, All Programs, Windows Update and clicking on "Check for

updates". *for XP, Service Pack 3 must be installed.

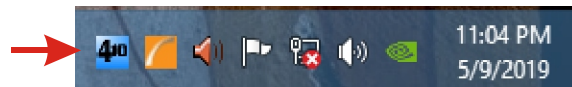
(Step 6) After the ADC-4U device driver is installed, the ADC-4U com port should be detected and a pop-up will prompt you for the com port to be used with your ADC-4U A to D Converter (correct com port should be shown). You may edit the com port if incorrect. The ADC-4U User Interface will now open and the label just under the COM port indicator should show that Com port open. Please Note: When the ADC-4U inputs are floating (no connection) the inputs may show random or changing values from noise picked up by the high impedance inputs. Click the "Install Help Files" button to install important trouble-shooting and reference information before you close the installer.

(Step 7) Test your analog inputs by applying a test voltage to each input. The test voltage must be within the selected reference voltage and of the correct polarity (the default reference voltage is 4 volts, providing a voltage input range of 0 to 4.096 volts DC). You may use the analog test circuit shown below to provide the test voltage. When using a 9 volt smoke detector battery, use a multimeter to check for the correct voltage since the voltage can go well over the reference voltage if the potentiometer is turned beyond 10K. The input in the ADC-4U User Interface should increment by one (in 256 increments for 8 bit inputs), (in 1024 increments for 10 bit inputs) or (in 4096 increments for 12 bit inputs) as the potentiometer is slowly adjusted from 0 to 4.1 volts.

Differential inputs may be tested using the same analog test circuit (below) except you will connect the test voltage to inputs 1 and 2 (differential channel 1) or inputs 3 and 4 (differential channel 2). When the ADC-4U is set to differential mode, the ADC-4U will display a range of (-128 to +127) in 8 bit, (-512 to +511) in 10 bit and (-2048 to +2047) in 12 bit as the input voltage swings from -4.1 volts to +4.1 volts. The negative side of the signal is generated by reversing the polarity of the test signal (or reversing the battery polarity). The inputs are changed to differential mode by going to the setup window in the ADC-4U User Interface.

After testing is complete, you may label your analog inputs, set scale and offsets, set precision and add a suffix (such as °, PSI, mA, etc) by going to the setup window in the ADC-4U User Interface and clicking the Analog Setup button. The ADC-4U Data Logger may be started by checking the Enable box. The data log entry interval may be set to minutes or seconds (click the M or S button) and entering the desired time interval. The settings will not go into effect until the Apply button is clicked.

Click the "Tray" button to place the User Interface in "driver only" mode. You will see a blue 4 icon in your system tray by the clock (bottom right of screen as shown below).



Click the blue 4 icon to re-open the ADC-4U User Interface. Click the "Unload Device Driver" to remove the ADC-4U device driver.

Please note that by default, the ADC-4U device driver is only loaded on demand to conserve system resources. To re-start the ADC-4U device driver, double click the red and blue ADC-4U desktop icon or under Applications.

HOW TO OPEN DEVICE MANAGER

Windows XP, VISTA or Windows 7: Click the Start Button (lower left of screen), then Control Panel (right side). With the view set to classic view, small or large icons, click (or double click) the Device Manager icon. With Windows XP you will need to click the System icon (in Control Panel) then the Hardware Tab then the Device Manager button. You may also use the supplied CD to open Device Manager by clicking the "Open Device Manager" button when the CD auto starts.

Windows 8.1, 10, 11 and Windows Server: Move your mouse cursor to the lower right side of your screen and click on Settings (or use search). Click on Control Panel near the top and click on the Device Manager icon.

You may install the ADC-4U device driver permanently by checking the "Driver Only" check box under Setup in the ADC-4U User Interface. You will then always see the ADC-4U system icon in your system tray along with the other system devices (such as your speaker, printer or display adapter).

If operation of the analog inputs are normal, then testing is now complete and your ADC-4U may be placed in service. If problems are encountered during testing, proceed to the trouble-shooting procedures shown below.

TROUBLE-SHOOTING THE ADC-4U

(1) Verify that your USB com driver is installed by going to Device Manager and checking for the Prolific USB to Serial Comm Port entry. Right click on the entry, then Properties, select the Driver tab and verify that the driver is dated 8/15/2014 or later. If the driver is out of date, connect to the Internet and click the Update Driver button. Please note that an out of date driver may allow the ADC-4U to partially function and/or with erratic operation.

(2) Verify that the Prolific USB to Serial Comm Port entry is the com port used by your ADC-4U. You may do this by watching the entry in Device Manager and unplugging your ADC-4U from your computer USB port. The entry should disappear and then re-appear when you plug the ADC-4U back in to your computer USB port.

(3) Try replacing the USB cable and/or using a different USB port.

(4) Verify that the ADC-4U device driver is correctly installed and running. Click the blue 4 icon in your system tray (bottom right) and check for the correct com port setting (should show the correct com port open). If the window below the COM indicator shows "COM Not Found!" then a com port issue is the problem (check for another program that may be using the com port). You may right click the taskbar at the bottom of your screen, then Task Manager to view running applications.

(5) Remove the ADC-4U USB cable from your computer, wait 5 seconds and plug back in. Open the ADC-4U User Interface by clicking on the blue icon in your system tray and double click on the blue EECI logo to reset the com port. You should see a reset message followed by a COM open indication. Click Setup and uncheck "Allow External Commands". If this corrects the issue that you are experiencing then an external application is the problem.

(6) If erratic operation is experienced, check for loose connections at the terminal block (tug on each wire going into the terminal block), check for short circuits caused by metal contact to the ADC circuit areas or other connected hardware.

(7) The input voltage to any of the analog inputs must not exceed the reference voltage (nor should the input go negative with respect to the reference when not in differential mode) or erratic data may be generated on one or more of the analog channels. When an external reference is used, the reference voltage must not exceed 5 volts.

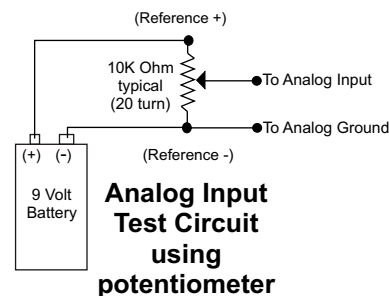
Please contact EECI Support at (800) 842-7714 or (937) 349-6000 if you require additional assistance or have questions.

SAMPLE RATE OF ANALOG INPUTS

All four analog inputs are updated at the same rate which you set under Setup in the ADC-4U User Interface. The default setting is every 250ms with an effective sample rate of 16 samples per second (or each channel sampled four times per second). A setting of 1000 will sample all four inputs once per second or a setting of 2500 every 2.5 seconds, etc. Use caution when making changes to this setting as a time setting too low will waste processor resources. A setting below 10ms will degrade system performance and will not allow for any change of the analog level due to the filter cap and decoupling resistor on the analog input (which average the signal level to reduce noise).

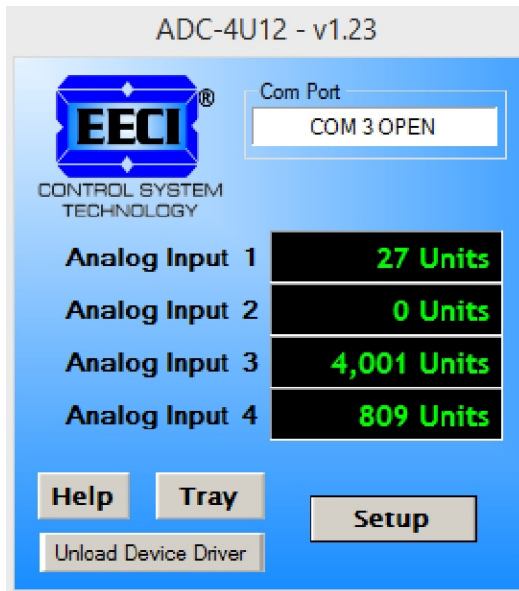
EXPANSION PORTS

The ADC-4U provides three expansion ports for additional I/O operations using the same COM port. The expansion ports may used to connect up to 144 relays (8 per expansion port) or to connect up to 144 inputs (or combinations of relays and inputs) using EX-8M and/or EXM-16 expansion modules. The relay output ports on the EX-8M and EXM-16 are identical to those used on all EECI products and accept the same relay cards and other



accessories. A variety of relay cards with various contact configurations are available for connection to the expansion modules. A partial list of relay cards includes the RD-8, RD-8M, RG-8, RH-8, RI-8, RJ-8, RL-8, RN-8, RN-8M, RP-8 and RJ-8. The RYD-8 relay driver card may be used to control larger power relays, contactors, solenoids, valves or other devices. The DA-1 Digital to Analog converter may be used to output a 0 to 5 volt or a 0 to 10 volt analog level. For additional information on the EX-8M Expansion card, please refer the the EX-8M Technical Reference available on the EECl web site.

THE ADC-4U USER INTERFACE



The ADC-4U User Interface allows you to set all of the basic operating characteristics of the hardware and permits the ADC-4U to send and receive data from other Windows applications or programs that you create.

When the ADC-4U device driver is started for the first time you are prompted for the com port that is to be used with the ADC-4U. This com port number is saved in the settings file "adc4u-set.ini" which is created in the folder c:\eecl\adc-4u. The interface will then start using the com port assigned. The com port indicator should have a "COM OPEN" message as shown to the left with the correct com port shown. The com port may be changed by clicking the Setup button and changing the com number in the Com Port window and clicking Apply.

Clicking the Setup button allows you to label the analog inputs for each of the 4 channels. The com port, baud rate and sampling rate settings are changed below. Checking the box for differential input will allow differential inputs to be connected to the terminal block on the ADC-4U (display will change to two channel mode). The boxes for reference input allow you to set the desired voltage input range (use of the external reference mode will change the display to

three channel mode since the channel 4 input is used for the external reference connection). Un-checking the Allow External Commands box will prevent other Windows applications from sending or receiving data from the ADC-4U. The data logger may be enabled by checking the box in the data logger section and entering the desired time interval and file type information.

The ADC-4U User Interface may be started in driver only mode by checking the "Start Minimized" box. Any changes made to Setup will not take effect until you click the Apply button. Clicking the Apply button saves the new settings to the adc4u-set.ini file so that if the device driver is unloaded, it will restart with all the new settings. Click the Tray button (driver only mode) to close the window after the ADC-4U User Interface is set-up for your application. A blue 4 icon will appear in your system tray (click to re-open the user interface). The ADC-4U User Interface may be left open when used as a stand alone data logger or if an external application is not used. The ADC-4U User Interface may be completely shut down (and driver unloaded) by clicking "Unload Device Driver" at the bottom. Once shut down, you will need to double click the ADC-4U desktop icon to re-start the ADC-4U device driver/User Interface (or click the ADC-4U icon under All Programs in the EECl folder). The Help button will provide additional assistance if you installed the Help files from the ADC-4U installation CD.

AUTO START-UP FOR THE ADC-4U

By default, the ADC-4U device driver is only loaded on demand to conserve system resources. You may install the ADC-4U device driver permanently by checking the "Driver Only" check box under Setup in the ADC-4U User Interface. You will then always see the ADC-4U system icon in your system tray* along with the other system devices (such as your speaker, printer or display adapter). Click the blue 4 icon in your system tray to open the ADC-4U User Interface. If the ADC-4U device driver is not installed permanently, you will need to double click the ADC-4U desktop icon to load the ADC-4U device driver each time your system starts.

*you may need to expand the arrow in your system tray to see all the icons (the tray is the row of icons on the lower right of your screen, next to your clock).

UPDATES FOR THE ADC-4U DEVICE DRIVER/USER INTERFACE

Click the "Check for Updates" button under Setup in the ADC-4U User Interface or contact EECl support. There is no charge for the updates.

THE ADC-4U DATA LOGGER

The ADC-4U User Interface provides a data logger function that will save analog input readings to a file at preset time intervals. Scale and offset values may be factored into the recorded data event along with an input label by entering the desired values at the setup screen by clicking the Analog Setup button. The ADC-4U data logger may be used stand alone if an external application is not used. The file output format may be set to plain text, CSV or text delimited formats and may be imported into database or spreadsheet applications if required. The data log interval may be set to seconds or minutes by clicking the button to the right of the setting. A suffix may be added to the logged value (such as PSI, Volts, °, etc.). Extended ASCII characters may be added by holding down the alt key and entering the ASCII code on your keyboard keypad. Example: to display a degree symbol, hold down the alt key and enter 248 on your keypad. The precision setting allows you to log your data in integer only, tenth, hundredth, thousandth or auto select. The data logger is started by checking the Enable box and clicking Apply under setup.

PROGRAMMING EXAMPLES

VISUAL BASIC EXAMPLE (Microsoft Visual Studio)

To use these example, copy the code module (supplied on your CD) to a sub called readInputs(). From the toolbox, drag (4) labels and a timer control to your form. Insert the following code into the timer sub. The (4) ADC-4U analog inputs are displayed in labels 1 through 4.

```
Private Sub Timer1_Tick(sender As Object, e As EventArgs) Handles Timer1.Tick
```

```
readInputs() 'collect analog inputs
```

```
For W = 1 To 4
```

```
MyLabelArray(W).Text = inputByte(W)
Next W
```

```
End Sub
```

VISUAL C# EXAMPLE (Microsoft Visual Studio)

```
private void timer1_Tick(object sender, EventArgs e)
{
    ReadInputs();

    for (int i = 1; i < 5; i++)
    {
        MyLabelArray[i].Text = inputByte[i].ToString();
    }
}
```

The entire source code program examples and the complete project code are provided on your installation CD along with additional source code examples in other programming languages. The programs are intended to demonstrate the fundamentals needed for development of your own software. The program examples may be copied to your program and used as a subroutine if desired.

These examples will run in all versions of Visual Studio including Visual Studio Express. The installation CD will have examples in all the programming languages used with Microsoft Visual Studio including Visual Basic, Visual C#, Visual C++ and ASP .Net. Additional source code examples are available in several other variations which may be more suitable for alternate programming languages. Please contact EECl technical support for more information.

VOLTAGE REFERENCE INPUT

The ADC-4U allows for several different reference voltage configurations. The reference voltage determines the voltage input range for all (4) analog input channels ((2) channels in differential mode). The following configurations are selectable from the setup page of the ADC-4U. When the ADC-4U is configured for a user provided reference input, the ADC-4U becomes a (3) channel converter since channel four is used for the reference input. The ADC-4U may also be configured to provide the internal reference as an output if required. The reference output voltage will be provided at the channel four input terminal (and becoming a (3) channel converter). Using the default internal high precision reference setting will provide the greatest input noise rejection. Option 1 is the default setting.

Option 1: 4.096 volt internal - allows a (0 to 4.096) volt input range - no reference output ((4) channel single ended) allows a (-2.048 to +2.048) volt input range with no reference output ((2) channel differential)

Option 2: 5 volt internal - allows a (0 to 5) volt input range or (-2.5 to +2.5) in differential mode with no reference output (4) channel single ended or (2) channel fully differential

Option 3: 4.096 volt - allows a (0 to 4.1) volt input range or (-2 to +2) in differential mode* with a reference output (3) channel single ended reference output provided on channel 4 analog input. The reference output voltage should be decoupled with a 2k series resistor

Option 4: 3.3 volt - allows a (0 to 3.3) volt input range or (-1.65 to +1.65) volts in differential mode* with reference (3) channel single ended reference voltage from AUX header is applied to the channel 4 analog input (also providing access to the reference voltage). Low precision/digital power**

Option 4: 5 volt - allows a (0 to 5) volt input range or (-2.5 to +2.5) volts in differential mode* with reference (3) channel single ended reference voltage from AUX header is applied to the channel 4 analog input (also providing access to the reference voltage). Low precision/digital power**

Option 5: User supplied - must be in the range of 1 volt to 5 volts and should have an output impedance of 500 ohms or less (3) channel single ended reference voltage from user is applied to the channel 4 analog input (providing access to the reference voltage). Example: 2 volts applied to the channel 4 analog input provides a (0 to 2) volt input range single ended or (-1 to +1) volts for differential inputs*.

*(2) channel fully differential (-) side of the channel 2 input is connected to GND.

** the ADC-4U may be ordered with a high precision voltage reference installed. Please contact EECl support.

SINGLE ENDED ANALOG VOLTAGE INPUTS

Voltages up to hundreds of volts may be divided down to the 5 volt range by using a simple resistance divider as shown on the following page (the signal source must be capable of driving a 1 ma load). To determine the value transmitted by the ADC for a specific voltage applied to the divider circuit use the following formula: (VI divided by DF) times 51 = TV (where TV = transmitted value sent by the ADC, VI = voltage input to divider, DF = divider factor) DF = full scale voltage divided by 5 volts. EXAMPLE: 100 volts full scale divided by 5 = 20 = DF. A 60 volt input to the divider divided by 20 multiplied by 51 = 153 = TV, the value transmitted by the ADC (8 bit).

The voltage input source may be located up to several hundred feet from the ADC. The wire which connects the ADC to the signal source should be a twisted pair to reduce possible input noise (22 or 24 gauge communication cable or CAT5 typical). Shielded cable may be used to further protect against EMI or lightning noise (the shield should be left disconnected at the source and connected to an earth ground/equipment ground at the ADC).

Lower millivolt signal levels (such as the output signals from a watt transducer, pressure transducer, load cell, etc.) with typical full scale voltages of only 20 to 100 millivolts will require the addition of the VA-1, VA-2, VA-4 or VA-8 instrumentation amplifier. The VA-1 connects to any of the analog inputs and will convert a millivolt signal input to a 0 to 5 volt output for input into the ADC. Signal levels this low will may require shielded cable to reduce noise. An adjustment on the VA-1 will set the input scale. The shield should be left disconnected at the source and grounded to an earth ground at the VA-1. Applications requiring isolated analog inputs require the VI-8I linear opto isolated amplifier.

NOTE: When the analog inputs are left floating, (no connection) the ADC will transmit fluctuating numbers as a result of noise present at the inputs. We recommend that any unused inputs be connected to GND (reference (-)) to prevent possible errors on other channels.

FILTERING INPUT NOISE: A .1 uf filter capacitor is installed on the ADC card (one for each channel) which significantly reduces errors and fluctuation as a result of input noise. A 2.7 mf or 10 mf tantalum capacitor may be added for additional filtering (input response time will be slower).

Shown on the following pages in figures A, B & C are methods for reading contact closure, potentiometer movement & light levels.

VOLTAGE INPUT AMPLIFICATION AND SIGNAL CONDITIONING

The ADC-4U defaults to a 0 to 4 volt input range (installation of a voltage reference will allow input ranges as low as 0 to 1 volt). When the input voltage range is required to be lower, (such as with a watt transducer or load cell) an external instrumentation amplifier must be used to amplify the input signal to the 0 to 4 volt input range of the ADC.

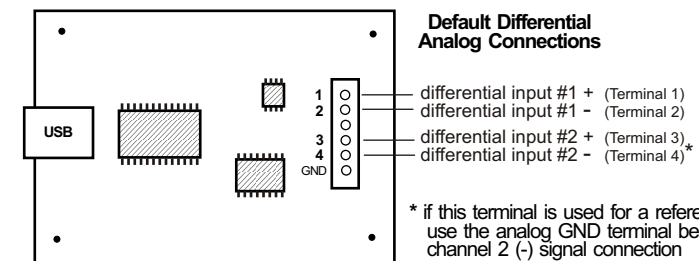
Several general purpose instrumentation amplifiers are available to amplify lower signal levels to the 0 to 4 volt range required by the ADC (for use with 8, 10 and 12 bit inputs). The VA-1 is a single channel amplifier for connection to the ADC-4U, ADC-8U or ADC-12U. The VA-2, VA-4 and VA-8 amplifiers are two, four and eight channel versions of the VA-1. The VA-1, VA-2, VA-4 and VA-8 all provide 15 turn potentiometer(s) for gain adjustment (amplification level). The amplification level is adjusted for a 0 to 100 millivolt input at the factory. The amplification level may adjusted for signal inputs as low as 0 to 5 millivolts or as high as 0 to 5 volts. Lower signal levels (such as the output signal from a watt transducer, pressure transducer, load cell, etc.) with typical full scale voltages of only 20 to 100 millivolts will require the addition of the VA-1 instrumentation amplifier when connecting to the ADC. Signal levels this low may require shielded twisted pair wire. The shield should be left disconnected at the source and grounded to an earth electrical ground at the VA-1.

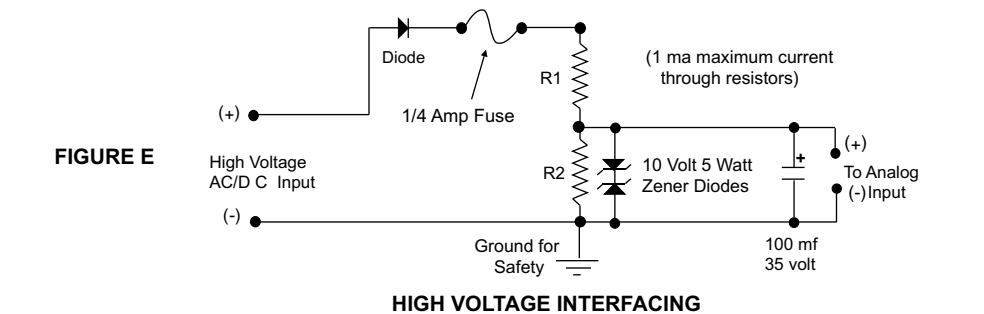
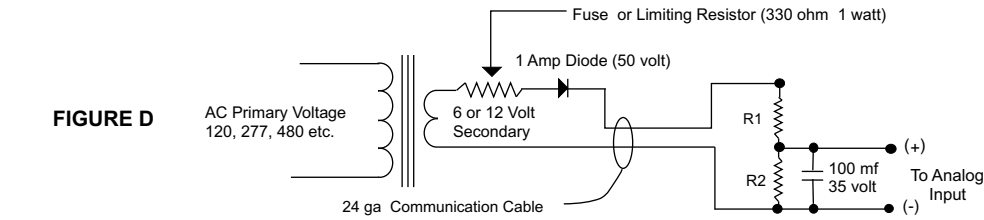
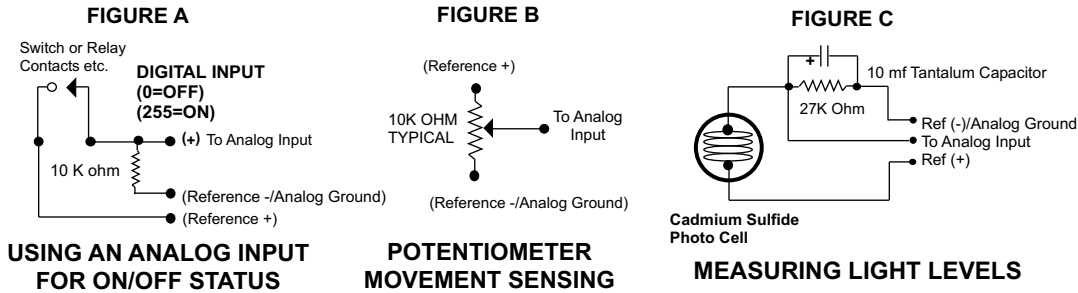
CONNECTION OF DIFFERENTIAL SIGNALS TO THE VA-1: If low level differential inputs are required, the VA-1 may be used to convert a differential signal into a 0 to 5 volt signal for connection to the ADC. The VA series amplifiers have a reference input (for connection to the ADC reference) which is used to generate a 2.5 volt offset (adjustable). The gain adjustment on the VA series amplifiers may be adjusted to allow for differential signals as low as (+) and (-) 5 millivolts or as high as (+) and (-) 5 volts. Using the VA-1 will allow the use of all 4 single ended inputs on the ADC-4U since the low level differential input to the VA-1 is converted to a single ended signal for connection to the ADC-4U.

DIFFERENTIAL ANALOG INPUTS

The ADC-4U may be set to accept (2) fully differential inputs in place of the (4) single ended inputs. The differential voltage input range is determined by the reference setting and/or reference input as shown on the previous page. The differential input signal connects to terminals 1 and 2 for differential channel 1 and terminals 3 and 4 for differential channel 2. The GND terminal connection is not used unless the analog input terminal 4 is used for a reference input or output. The GND terminal is then used in place of terminal 4 for the channel 2 differential input.

DIFFERENTIAL ANALOG INPUT TERMINAL BLOCK CONNECTIONS





CAUTION: When working with high voltages, the potential for fire, explosion, electrocution, eye injury or blindness and life threatening injuries or death exists. If you are not familiar with the precautions needed when working with high voltages, do not attempt to connect high voltage up to these circuits. To prevent the danger of a high voltage feeding back to the ADC and the fire/injury/electrocution hazard caused by an open or short circuit, 10 volt 2 watt zener diodes and a 1/4 amp fuse should be connected as shown in figure E. Wire used to interconnect a high voltage input must be rated for use with the higher voltage. When connecting the ADC to high voltage AC equipment the method shown in figure D above is recommended.

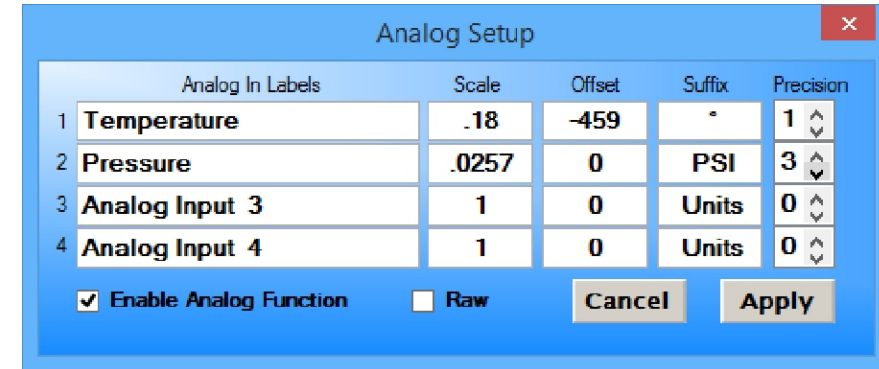
The following method is used to divide a high voltage down to the 5 volt range needed for input into the ADC. This method involves the use of two resistors (R1 and R2) which together add up to Rt (total resistance). The total resistance is determined by using the Ohms Law to compute the resistance needed for a 1 milliamp current flow through the resistors. **EXAMPLE:** If your full scale voltage is 100 volts (R = E divided by I) 100 volts divided by .001 amp = 100,000 ohms (100K ohm). To determine the proper ratio, divide 5 volts by the full scale voltage. 5 divided by 100 volts = .05. Multiple this ratio by the total resistance to determine the value of R2. R1 is then equal to the difference between the total resistance and R2. **EXAMPLE:** ratio .05 times total resistance 100,000 ohms = 5,000 ohms (the value of R2). Total resistance 100,000 ohms less R2 5,000 ohms = 95,000 ohms (the value of R1). To determine the power rating needed for the resistor, use the following formula: P = I squared times R. **EXAMPLE:** .001 squared = .000001 times R1 95,000 ohms = .095 watts. A 1/8 or 1/4 watt resistor would be sufficient.

IMPORTANT: The full scale voltage used should be the highest possible voltage that could be present at the high voltage input.

AC voltages may be applied to the high voltage input if a diode is connected in series and a filter capacitor (100 mf, 35 volt typical) is connected between the ADC analog input and the ADC reference (-). AC voltages over 24 volts or great enough to create an electrical shock hazard or fire should be connected to the ADC analog input using a step-down transformer to reduce the high voltage down to the 5 volt range as shown in figure D. A diode and filter capacitor must be connected on the secondary side of the transformer (a common low current power transformer may be used).

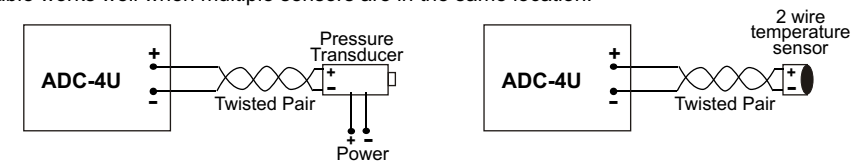
INPUT SCALING AND OFFSETS

Analog inputs may be scaled and offsets added by opening the user interface and clicking Setup and then Analog Setup. This allows you to directly display temperature, pressure, position, etc. by adjusting the raw analog data coming from the sensor to the actual units (such as degrees, PSI, mm, GPM, RPM, etc.). The Precision setting allows the units to be displayed in integer, tenth, hundreds, etc. Use the Suffix box to change the display from the default Units to the required specifier. You may check the "Raw" checkbox to disable all formatting.



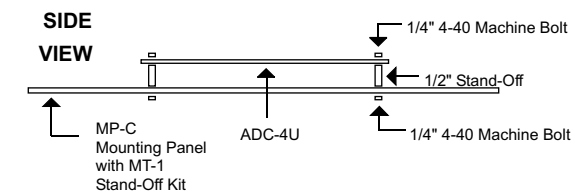
CONNECTING SENSORS TO THE ADC-4U

A large variety of sensors, transducers, load cells and other devices that provide an analog output may be connected to the ADC-4U. Most types of sensors may be located up to 1,000 feet from the ADC-4U. Pull up resistors may be installed on the underside of the ADC-4U for 2 wire sensors that receive power from the USB port. The cable used to connect sensors to the ADC-4U should be twisted pair or shielded twisted pair to suppress environmental noise. Low cost CAT 5 cable works well when multiple sensors are in the same location.



MOUNTING

The ADC-4U Analog to Digital card may be mounted in an enclosure (part # EN-C or EN-D) or on a metal mounting panel using the MT-1 stand-off mounting hardware as shown below. The ADC-4U will attach to the 4 stand-off spacers using 4-40 machine screws (4 mounting holes are provided on the ADC-4U). Contact technical support for more information on mounting panels and various mounting layouts.



RAW ANALOG DATA

The ADC-4U will present the raw analog data as a number between:
 0 to 255 (8 bit)
 0 to 1023 (10 bit)
 0 to 4095 (12 bit)
 when in single ended mode and a number between:
 -128 to +127 (8 bit)
 -512 to +511 (10 bit)
 -2048 to +2047 (12 bit)
 when in differential mode.

Relay and Input labels may be changed by clicking the Relay Control or Input Setup buttons. Click the Analog Setup button to make changes to the analog labels, suffix, scale, offset or precision. These also apply to logged data.

Click to Refresh Com Ports (use the pull-down to select, then Apply to set)

Driver Auto Loads on System Start*

SETUP FUNCTIONS

Start the data logger by checking the Enable box. The logger will roll-over or stop based on the setting in the Max Entries box. The Data Interval may be set to minutes or seconds and will log the data based on the setting in the box.

Rate at which Analog Inputs are Updated**

Load Driver Only and show Tray Icon when Driver Loads

NOTE: Once a change is made, the Apply Button will appear. Changes will not be applied until you click the Apply button. The changes are saved to the adc4u.ini file.

To completely automate the ADC-4U, check Start Minimized, Driver Only and Allow External Commands. In this mode of operation, your program has complete control of the ADC-4U and the User Interface does not open. *do not check unless the ADC-4U is always connected to a USB port.

**the default sample rate is 250ms (4 times per second). This is the rate at which all analog inputs are updated.



ELECTRONIC ENERGY CONTROL, INC.
 14960 Maple Ridge Rd
 Milford Center OH 43045-9016
 USA
 PHONE*..... (937) 349-6000
 ORDERS..... (800) 842-7714
 TECH SUPPORT... (937) 349-6000
 E-mail*..... sales@eeci.com
 Web*.....https://www.eeci.com
 *International & Domestic